

Development of a novel setup for direct colorimetric visualization of elemental mercury vapor adsorption on colloidal gold nanoparticles

Mohammad Javad Assari¹, Abbas Rezaee^{*1}, Ahmad Jonidi Jafari², Abdolrahman Bahrami³

1) Environmental and Occupational Health Department, Faculty of Medical Sciences, Tarbiat Modares University, Tehran, Iran

2) Environmental Health Engineering Department, School of Public Health, Iran university of Medical Sciences, Tehran, Iran

3) Occupational Health Engineering Department, School of Public Health, Hamadan University of Medical Sciences, Hamadan, Iran

Author for Correspondence: E-mail: rezaee@modares.ac.ir

Received: 17 Sep. 2013, Revised: 01 Nov. 2013, Accepted: 13 Dec. 2013

ABSTRACT

Mercury is a toxic, persistent, and bio-accumulative pollutant that has adverse effects on environmental and human health. Various studies have been conducted to monitor different forms of mercury. The objective of this study was to develop a novel setup for assessing gas phase elemental mercury vapor adsorption using colloidal gold nanoparticles solutions that display a characteristic surface plasmon resonance absorption peak in the visible spectrum. The UV-VIS-NIR spectrographs of gold nanoparticles blue shifts after exposure to mercury vapor. The surface plasmon resonances (SPR) of ~4 and ~30 nm gold nanoparticles were appeared with the sharp peaks at 515 and 528 nm respectively. The mercury vapor adsorbed in gold nanoparticles was related to the size. The amounts of mercury vapor adsorbed per grams of ~4 and ~30 nm gold nanoparticles solutions were obtained 1100 $\mu\text{g}\cdot\text{g}^{-1}$ and 1300 $\mu\text{g}\cdot\text{g}^{-1}$ respectively. A proposed novel setup based on UV-Vis spectroscopic undertaken to provide simplicity, use facilitating, potentially inexpensive, and sensitive enough is a suitable system for mercury vapor capture in many fields. It was demonstrated that the amount mercury adsorbed has been related to the sizes of gold nanoparticles. The color change was observed, when elemental mercury vapor adsorbed on the gold nanoparticles.

Key words: Mercury; Gold nanoparticles; Surface plasmon resonance; Adsorption; UV-Vis spectroscopy

INTRODUCTION

Mercury is one of the toxic chemical agents in environmental. It is released in the atmosphere through different natural and anthropogenic sources [1, 2]. Exposure to high mercury concentrations can be harmful to the human organs such as, brain, heart, kidney, lung and immune system [3]. Elemental mercury vapor (Hg^0), inorganic mercurous (Hg^+) and mercuric (Hg^{2+}) compounds, and organic mercuric ($\text{R}\cdot\text{Hg}^+$, where R represents any organic ligand) compounds are different form of mercury in the environment [4]. Mercury has various effects on microorganisms, plants, invertebrates, fishes, birds, and humans [1].

Hg^0 has generated a high vapor pressure and low water solubility at an atmospheric residence time of 1-2 years. It is the most abundant form of mercury in the atmosphere [5]. Mercury vapor is a dangerous source in air pollution. The present mercury in the air can cause damage to human, plant and animal [6]. Various technologies were proposed for mercury removal from the environment. It is recognized that the porous materials the same activated carbon have

high efficiency for mercury adsorption [4, 7]. The activated carbon injection technology is widely used for controlling elemental mercury. [8]. Major problems associated with activated carbon technology are that the lower affinity between non-treated carbons (without specific active sites) and elemental mercury as well as low pressure drop in the fixed bed. Also, sulphur agents are used for Hg^0 adsorption on fixed beds, but the problem of hazardous wastes still remain [8]. Therefore, it is an interest to conduct various studies to find a novel material as an alternative adsorbent with high mercury adsorption performance. Determination of elemental mercury is a research topic for solving the problems. Regenerable adsorbents could apply for high mercury adsorption. Some of the adsorbents are low cost, because their reuse.

The affinity of mercury to gold is well known since ancient times [6]. The gold mercury complex is extremely stable at room temperature. However, the complex decomposes to mercury vapors at higher temperatures [6]. On the other hand, nano size materials are well known for their large surface area. Among various metallic nanoparticles, the ability

gold nanoparticles to adsorb the mercury is well known [9]. The price is a main problem in using of gold in the industrial activities, but in the field scales usually some materials the same pit has used with very high cost. Moreover, it is expected that the desorption Hg^0 from adsorbed gold could improve the economy of the process. The adsorption and desorption Hg^0 on the gold were presented in the literature [8]. The unique optical properties of gold nanoparticles have led to the development of colorimetric assay. It is well known that the wavelength of the SPR is sensitive to adsorption of materials on the surface. Adsorption can generate either blue or red color in the SPR. Mie theory has introduced the color change after Hg^0 adsorption. Generally, an adsorbent that withdraws electron density from the particle will produce a red shift. In contrast, an adsorbent that donates electron density to the particle will lead to a blue shift of the SPR [10]. In this study, we evaluated a novel setup for assessing of elemental mercury vapor using colloidal gold nanoparticles that display a characteristic SPR absorption peak in the visible spectrum. The colloidal gold nanoparticles were synthesized according to two well-known procedures using HAuCl_4 . The characteristics of prepared gold nanoparticles were analyzed by UV-VIS-NIR spectroscopy, dynamic light-scattering (DLS), and transmission electron microscopy (TEM). Also, the optical changes were compared on different sized gold nanoparticles after exposure to Hg^0 .

MATERIAL AND METHODS

Chemicals and Materials

Chlorauric acid (III) hydrate ($\text{HAuCl}_4 \cdot 3\text{H}_2\text{O}$) as the source of gold nanoparticles, tri-sodium citrate ($\text{Na}_3\text{C}_6\text{H}_5\text{O}_7$), sodium borohydride (NaBH_4), and tin chloride ($\text{SnCl}_2 \cdot 2\text{H}_2\text{O}$) as the reducing agents, and mercury chloride (HgCl_2) were provided from Merck, Germany. Nitrogen (N_2) was used as the carrier gas. A stock solution ($1000 \mu\text{g ml}^{-1}$) of Hg (II) was prepared by dissolution of mercury chloride salt and was stored at 4°C prior to use. Working standard solutions of Hg (II) were prepared by appropriate stepwise dilution of the stock standard solution to the required levels just before use. The reductant solutions were prepared fresh daily and were purified from possible traces of elemental mercury by 30 min degassing with N_2 .

The separation chamber was constructed of a cylindrical polyethylene container (164.3 mm length \times 72.7 mm i.d.), adjustable valves and the push-fit connections made of poly-tetra-fluoro-ethylene. The channels in an upper cell were managed with two tubes (4.9 mm i.d.); one tube for the inlet carrier gas and another for outlet mixture ($\text{Hg}^0 + \text{N}_2$). The lower

channels cell managed two parallel outlets, one for HgCl_2 solution and the other for reducing agent. The in-line impinge were applied (SKC Inc.).

Instrumentation

Perkin Elmer Lambda 950 UV-VIS-NIR spectrometer was applied to determine the SPR peak of each gold colloidal solution before and after exposure to Hg^0 . TEM, Philips-EM 208, and Dynamic light-scattering (DLS) using a Malvern Zetasizer Nano ZS apparatus (ZEN 3600) were performed to characterize the morphology and size of the gold nanoparticles. Two peristaltic pumps (JMS model SP-510 and JAZ-1800) were used in the proposed elemental mercury vapor generator unit.

Gold nanoparticle synthesis

Gold nanoparticles were synthesized by two procedures. In the procedure 1; gold nanoparticles were synthesized by adding 5 ml of 1% tri sodium citrate solution to 95 ml of a boiling chlorauric acid solution that contained 5 mg of gold [11]. The color of the mixture turned wine red during few minutes, which indicates the presence of the gold nanoparticle of about 30 nm in average diameter. In the procedure 2 for synthesis of smaller gold nanoparticle (Procedure 2), sodium borohydride was used as reported previously [12]. Briefly, 100 ml of chlorauric acid aqueous solution containing 1 mg of gold was stirred vigorously, followed by the addition of 5 ml of 1 wt % aqueous tri-sodium citrate. After reaction during 1 min, 1 ml of 0.075 wt % NaBH_4 in 1 wt % aqueous tri sodium citrate was added. The solution was stirred for 5 min and the solution changed from colorless to orange. Stirring was stopped, and the solution was left undisturbed for 2 h. The resulting gold nanoparticles were about 4 nm in average diameter. Glassware used in the preparation and storage of the nanoparticles solutions was thoroughly cleaned by immersion in a solution of HCl/HNO_3 (3/1) followed by extensive rinsing with water and drying in an oven at 110°C . The nanoparticles prepared were stored in a refrigerator in a dark-colored glass bottle before use.

Mercury adsorption experiments

Mercury vapor generation

The designed setup used for the Hg^0 adsorption in gold nanoparticle is illustrated in Fig. 1. The setup consisted of a vapor-phase Hg^0 generator, a Perkin Elmer Lambda 950 UV-VIS-NIR spectrometer, and two midjet impingers connected in series, that each one contained 10 ml of gold nanoparticles colloidal solution suspended in distilled water. The Hg^0 generator unit was developed to produce a constant release ratio of elemental mercury vapor. The reduction of mercury was performed sequentially via pumping the Hg (II) and Sn (II) solutions into the

reaction container by peristaltic pumps. Hg^0 was produced by setting $Hg(II)$ and reduction rate (flow rate or concentration). N_2 was supplied as carrier gas to transport Hg^0 out of the reaction container. The purge gas flow rate of passing through the reactor was 200 ml. min^{-1} , based on standard temperature and pressure.

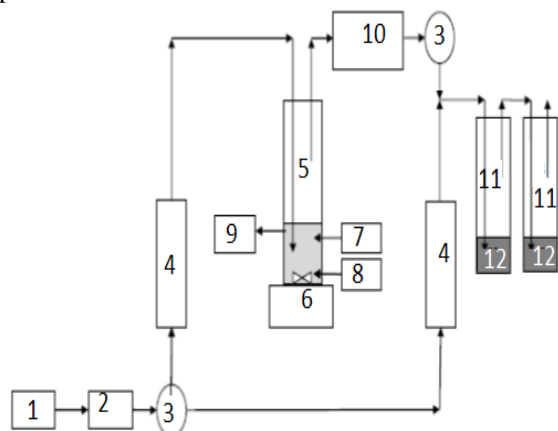


Fig. 1: The schematic of a novel setup used for testing the elemental mercury adsorption. (1) Carr gas, (2) Dryer (3) Adjusted valve (4) Flow meter (5) Separation chamber (6) Stirrer (7) $Hg(II)$ peristaltic pump (8) Reductant peristaltic pump (9) Waste (10) Temperature controller (11) Midget impinger (12) Gold nanoparticles colloidal solution

Calibrating and checking the performance of the above Hg^0 generator unit has already been published in a recent paper [13]. As it is shown in Table 1, the previous study clearly established that around the loading range $0.125\text{--}2.5\text{ ml. min}^{-1}$ of $100\text{ }\mu\text{g. l}^{-1}$ $Hg(II)$ solution, a linear calibration curve with the equation $\text{peak area}=0.134L-0.017$ and a correlation coefficient $r=0.996$ was obtained, and the detection limit was improved up to $cL=1\text{ }\mu\text{g. l}^{-1}$. The relative standard deviation of five measurements of lowest flow loading of $Hg(II)$ was $RSD=2.8\%$.

Table 1: The optimization of Hg^0 generator unit performance data

Hg(II) conc. ($\mu\text{g.l}^{-1}$)	100
Linear range of Hg(II) loading (ml.min^{-1})	0.125-2.5
Reducing agent (SnCl_2)	2.5% m/v in HCl
SnCl_2 loading (ml.min^{-1})	0.025-0.5
Purge gas (Ar) (ml.min^{-1})	200
Regression equation ([HgII] in ng.l^{-1})	$p=0.134L-0.017$ $L=\text{Hg(II) loading flow}$
Correlation coefficient	$r=0.996$
LOD (ng.l^{-1})	$cL=1$
Precision (R.S.D., $n = 5$; 0.125 ng.l^{-1}) (%)	2.8

Mercury Adsorption Measurement

In order to study of kinetic parameters such as breakthrough time (BTT) and dynamic adsorption capacity, Hg^0 stream laden carrier gas was fed to the reactor. It was consisted of two midget impingers connected in series that each one contained 10 ml of gold nanoparticle colloidal solution suspended in distilled water. Adsorption experiments were conducted at $25\text{ }^\circ\text{C}$, by 100 ng.min^{-1} ($0.1\text{ }\mu\text{g.min}^{-1}$) Hg^0 mass flow rate, which corresponded to a purge gas flow rate of 200 ml.min^{-1} . The leak check was performed by verifying the flow rate of purge gas at different locations in the experimental reactor, and the flow rate was measured using a rotameter. Any drop in the flow rate would indicate a possible leak in the system. Calibration of the rotameter was performed using a soap film flow meter and a stopwatch. Each experiment repeated three times under the same experimental conditions, and repeatability was shown with relative standard deviation (RSD %).

RESULTS AND METHODS

Synthesis and characterization of gold nanoparticle

Gold nanoparticles were synthesized by two procedures, in order to compare the optical changes that occur on different-sized gold particles after exposure to Hg^0 . The nanoparticles with an average diameter $\sim 30\text{ nm}$ and $\sim 4\text{ nm}$ were synthesized in procedures 1 and 2, respectively. In order to ensure the validity of the above findings and to bring out additional morphological information related to the particle size and their dimensions, TEM study were conducted (Fig. 2). Fig. 2a shows TEM photographs of products obtained by using procedure 1, and Fig. 2b shows TEM photographs using procedure 2. These observations are consistent with the fact that the product solution of procedure 1 is nanoparticles with an average diameter $\sim 30\text{ nm}$, while the product solution of procedure 2 were nanoparticles with average diameter $\sim 4\text{ nm}$.

The sizes of the nanoparticles were also analyzed using DLS. The size distribution of gold nanoparticles is shown in Fig. 3. As expected, the particle size obtained from DLS analysis was relatively bigger than in its TEM photograph. This result is in accord with similar studies, in DLS analysis, hydrodynamic radius of the particle is measured, which is inversely proportional to the diffusion speed of the particles in the solution. The size of the hydration shell around each particle in the solution can affect the diffusion speed of the particles, subsequently the particle size. If the hydration shell on the gold nanoparticle swelled in

aqueous solution, the water encapsulated in the hydration shell would evaporate and hydrodynamic radius of gold nanoparticles shrunk remarkably in a dry state for measurement with TEM [14].

The size is the factor that affects the result of the observed wavelength and SPR absorbance of SPR [9]. As it is shown in Fig. 4, the surface plasmon resonances (SPR) of ~4 and ~30 nm gold nanoparticles were appeared with the sharp peaks at 515 and 528 nm respectively.

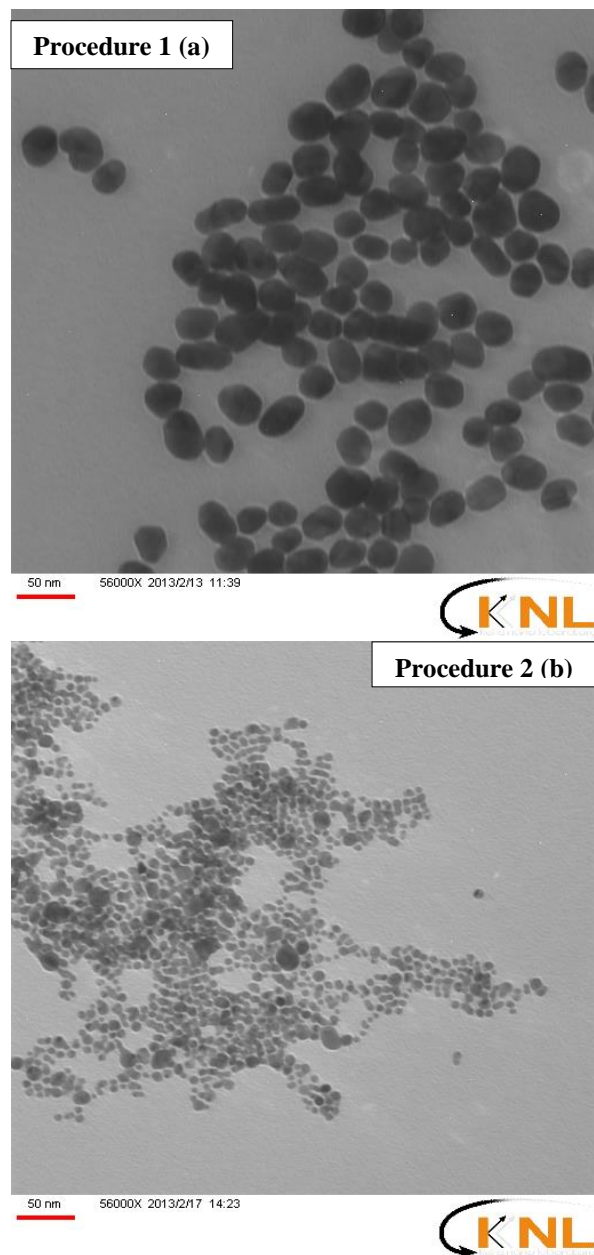


Fig. 2: TEM images of gold nanoparticles prepared from procedure 1 (a) and procedure 2 (b).
Hg⁰ adsorption performance

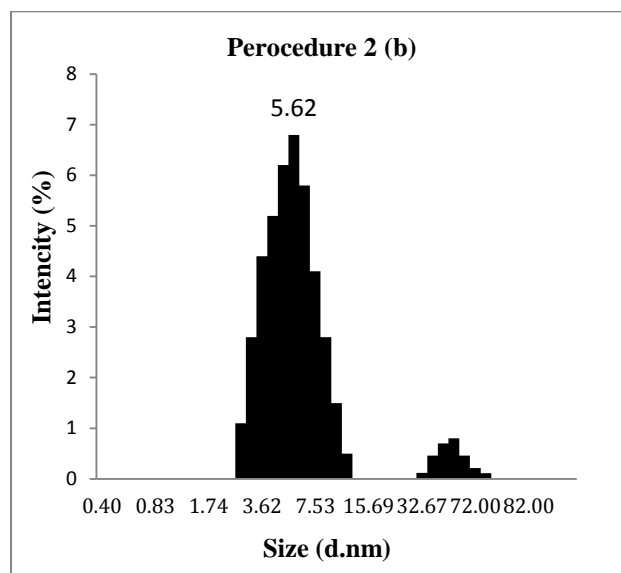
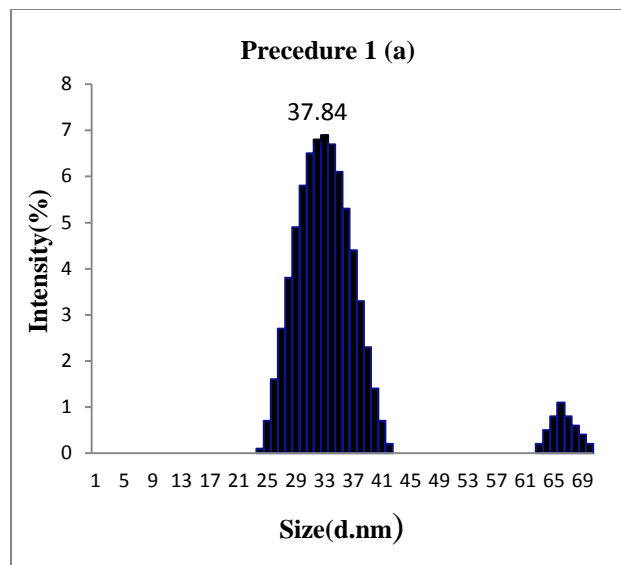


Fig. 3: The size distribution of aqueous gold nanoparticles prepared from procedure 1 (a) and procedure 2 (b).

In the product spectra, broad SPR bands of gold nanoparticles appear in 450-700 nm regions. The region between 450 nm to 600 nm is the region where the SPR bands of spherical particles can be observed, while SPR bands of polygonal particles can be observed in the 550 nm to 800 nm regions [15]. When gold nanoparticles into the impinger was exposed to Hg⁰, the UV-Vis spectrographs indicate a significant blue-shift, or shift toward smaller wavelengths, and the color of both colloidal gold nanoparticles solutions (prepared using procedures 1 and 2) changed to a blue-purple color. This color change was easily discernable with the naked eye. The increase in absorbance of the SPR peak and blue

shift in the colloidal gold nanoparticles solution after Hg^0 adsorption can be understood in terms of Mie theory [10].

When mercury adsorbs onto gold surfaces it lowers the work function, that is, donates electron density to gold. This is consistent with gold being more electronegative than mercury [15]. The extent of the blue-shift is both the amount Hg^0 flowing through the reactor and time dependent. The blue-shift after exposure to colloidal gold nanoparticles solutions obtained using procedures 1 and 2 were approximately 9 nm and 11 nm respectively. This observation is in excellent agreement with the results presented in many studies which are based on Mie theory [5, 10].

The adsorption of gold nanoparticle can be described by a diffusion model. The possible explanation of the adsorption kinetics is related to the time, concentration and particle sizes of gold nanoparticle, which predicts that surface coverage is proportional to the square root of time [16].

When the same colloidal solutions that have different sizes are used, all of the above parameters are constant and the efficiency of particle adsorption among different sizes can be compared. The obtained experimental results revealed that Hg^0 adsorbed in gold nanoparticles is inversely proportional to their size, and product gold nanoparticles of procedures 2 adsorbed more Hg^0 than gold nanoparticles of Procedures 1.

Table 2 summarizes the results of Hg^0 adsorption in colloidal gold nanoparticles solutions were obtained by using procedures 1 and 2. In this study, the Hg^0 mass flow rate at $100 \text{ ng} \cdot \text{min}^{-1}$, the purge gas flow rate at $200 \text{ ml} \cdot \text{min}^{-1}$ and, adsorption temperature at $25 \text{ }^\circ\text{C}$ were adjusted. The high amount of Hg^0 adsorbed per gram gold used had been obtained $\mu\text{g} \cdot \text{g}^{-1}$. The amount of Hg^0 adsorbed per gram gold used in gold nanoparticles prepared using procedures 1 and 2 had been obtained $1100 \mu\text{g} \cdot \text{g}^{-1}$ and $1300 \mu\text{g} \cdot \text{g}^{-1}$ respectively. As it has been reported in the literature, the reason for this discrepancy can be attributed to the surface area of gold nanoparticles.

Table 2: Experimental results of Hg^0 adsorption on gold nanoparticles colloidal solution ^a

	breakthrough (min)	Hg^0 capture capacity at breakpoint ($\mu\text{g} \cdot \text{g}^{-1}$)	Amount Hg^0 absorbed ($\mu\text{g} \cdot \text{g}^{-1}$)	Amount Au used (g)	SPR changes due gold nanoparticles exposure to Hg^0 (nm)	
					before	after
gold nanoparticles size effect ^b (nm)						
procedure 1 (~30nm)	11	1100	586.7	0.0005	528	537
procedure 2 (~4nm)	13	1300	411.7	0.0005	515	526

^a Sinifies 15 min capture experiment, $100 \text{ ng} \cdot \text{min}^{-1}$ Hg^0 mass flow rate, and $200 \text{ ml} \cdot \text{min}^{-1}$ N_2 flow rate

^b Experiment at $25 \text{ }^\circ\text{C}$.

Thus, gold nanoparticles synthesized by procedure 2 undertaken to provide more surface area allows more Hg^0 adsorbed onto its surface. This result is in accord with similar studies [6]

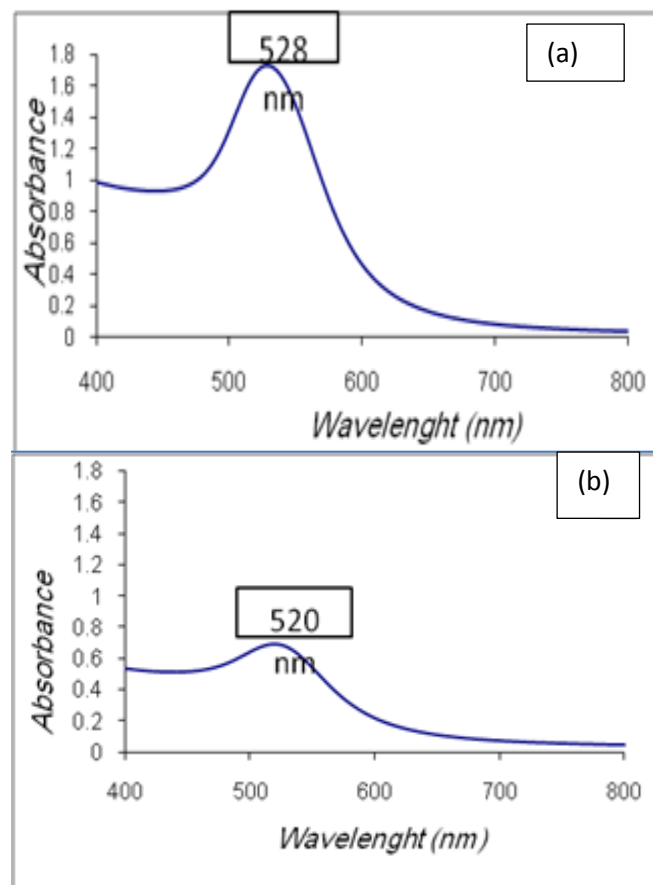


Fig. 4: The UV-VIS-NIR absorption spectra of the gold nanoparticles synthesized by (a) sodium citrate method and (b) hydride method.

CONCLUSION

A novel setup for a UV-Vis spectroscopic study of elemental mercury vapor adsorption on colloidal gold nanoparticles was developed. The results are promising and a setup based on this technique undertaken to provide the advantages such as simplicity, as facilitating, potentially inexpensive, and sensitive enough is a suitable system for use in many fields such as coal fired combustion plants, metals processing facilities, hospitals, and research laboratories.

The obtained experimental results show that Hg^0 adsorption depends strongly on the sizes of gold nanoparticles and the amount Hg^0 adsorbed is inversely proportional to their size. A further study will be carried out to control the sizes of gold nanoparticles for optimum Hg^0 adsorption. It was also shown that a color change is discernable with the naked eye when Hg^0 adsorbs onto gold nanoparticles. Therefore, a further study would be carried out to control the sizes of gold nanoparticles for optimum Hg^0 adsorption as a basis for future applications of this nanomaterial.

ACKNOWLEDGEMENT

The authors wish to acknowledge the financial support of the Tarbiat Modares University

REFERENCES

- [1] Romero V, Costas-Mora I, Lavilla I, Bendicho C. Cold vapor-solid phase microextraction using amalgamation in different Pd-based substrates combined with direct thermal desorption in a modified absorption cell for the determination of Hg by atomic absorption spectrometry. *Spectrochim Acta B* 2011; 66 (2): 156–62
- [2] Rezaee A., Derayat J, Mortazavi SB, Yamini Y, Jafarzadeh MT. Removal of mercury from chlor-alkali industry wastewater using *Acetobacter xylinum* cellulose. *Am J Env Sci* 2005; 1(2): 102-05
- [3] Rezaee A, Derayat J, Godini H, Pourtaghi GH. Adsorption of mercury from synthetic solutions by an *Acetobacter xylinum* biofilm. *Res J Env Sci* 2008; 2(5): 401-07
- [4] Zhao B, Zhang Z, Jin J, Pan W-P. Simulation of mercury capture by sorbent injection using a simplified model. *J Hazard Mater* 2009; 170 (2-3): 1179–85

- [5] Scallan K, Lucas D, Koshland C. A novel uv-vis spectroscopic method to detect elemental mercury using gold nanoparticles. *Epidem* 2006; 17 (6): S493
- [6] Mohamad MF, Kamarudin KSN, Nik NNF, Fathilah M, Mohamed MS. Effects of PVP concentration on the formation of size and shape of gold (Au) nanoparticles for mercury adsorption. *J. Appl. Sci.* 2010; 10: 3374-78
- [7] Rezaee, A., Ramavandi B, Ghanati F, Ansari M, Solimanian A. Biosorption of mercury by filamentous algae *Spirogyra* species. *J Biol Sci* 2006; 6(4): 695-00
- [8] Izquierdo MT, Ballesteros D, Juan R, García-Díez E, Rubio B, Ruiz C, Ros M. Tail-end Hg capture on Au/carbon-monolith regenerable sorbents. *J. Hazard. Mater.* 2001; 193: 304–10
- [9] Sozana K, Kamarudin N, Fazliana M. Synthesis of gold (Au) nanoparticles for mercury adsorption. *Am. J. Appl. Sci.* 2010; 7 (6): 835-39
- [10] Moores A, Goettmann F. The plasmon band in noble metal nanoparticles: an introduction to theory and applications. *New J Chem* 2006; 30: 1121–32
- [11] Yanjun Ding, Jia Liu, Hua Wang, Guoli Shen, Ruqin Yu. A piezoelectric immunosensor for the detection of α -fetoprotein using an interface of gold/hydroxyapatite hybrid nanomaterial. *Biomaterials*, 2007; 28(12): 2147–54
- [12] Kim YJ, Kim JW, Lee JE, Ryu JH, Kim J, Seop I. Synthesis and adsorption properties of gold nanoparticles within pores of surface-functional porous polymer microspheres. *J Polymer Sci A: polymer Chem* 2004; 42: 5627–35
- [13] Assari MJ, Rezaee A, Jonidi-Jafari A, Bahrami A. Optimization of a novel sequential injection system for an on-line study of elemental mercury adsorption by cold-vapour atomic absorption spectrometry. *JRHS* 2013; 13(1): 37-42
- [14] Komalam A, Muraleegharan LG, Subburaj S, Suseel S, Babu A, George S. Designed plasmonic nanocatalysts for the reduction of eosin Y: absorption and fluorescence study. *Int Nano Lett* 2012; 2:26
- [15] Tsuji M, Hashimoto M, Nishizawa Y, Tsuji T. Preparation of gold nanoplates by a microwave-polyol method. *Chem Lett* 2003; 32: 1114-15
- [16] Morris T, Kloepper K, Wilson S, Szulczewski G. A spectroscopic study of mercury vapor adsorption on gold nanoparticle films, *J Colloid Interface Sci* 2002; 254: 49-55